

# DG108E

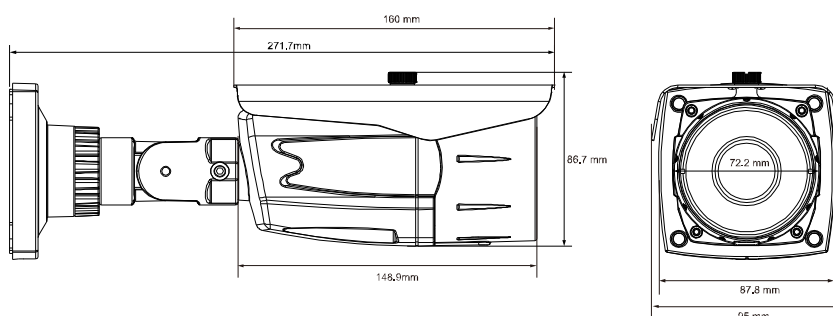
## HD CCTV 1080P IR Bullet Camera



### ● FEATURES

- (1) 1/ 2.7" CMOS Sensor with 1080P video output
- (2) IR effective distance up to 20 meters for day and night surveillance
- (3) IP66 for weather-proof application
- (4) Camera parameters adjustable when used with AVTECH HD CCTV DVR

### ● DIMENSIONS\*



\*Dimensional Tolerance: ± 5mm

### ● SPECIFICATIONS\*

MODEL	DG108E	
Pick-up Element	1/ 2.7" CMOS image sensor	
Number of Pixels	1930(H) x 1088(V)	
Video Frame Rate	1080P@30fps / 1080P@25fps	
Min. Illumination	0.1 Lux / F1.8, 0 Lux (IR LED ON)	
S/N Ratio	More than 48dB (AGC OFF)	
Shutter Speed	1/30 (1/25) sec ~ 1/720000 (1/600000) sec	
Lens	f3.6mm / F1.8	f2.8mm / F1.8 (Optional)
Lens Angle	89° (Horizontal) / 46° (Vertical) / 108° (Diagonal)	118° (Horizontal) / 65° (Vertical) / 136° (Diagonal)
IR LED	36 units	
IR Effective Distance	Up to 20 meters	
IR Shift	YES	
Day & Night Mode	YES	
IRIS Mode	AES	
White Balance	AUTO / USER / PUSH / 8000K / 6000K / 4200K / 3200K	
AGC	Adjustable	
Sharpness	Adjustable	
Flickerless	50HZ / 60HZ / OFF	
BLC	Adjustable	
IP Rating	IP66	
Operating Temperature	-25°C ~ 50°C	
Operating Humidity	Less than 60% relative humidity	
Power Source (±10%)	DC12V /1A	
Current consumption (±10%)	180mA (IR OFF) / 490mA (IR ON)	
Power Consumption (±10%)	6.48W max	
Net Weight (Kg)	2.4	

\* The specifications are subject to change without notice.