

DG105AX

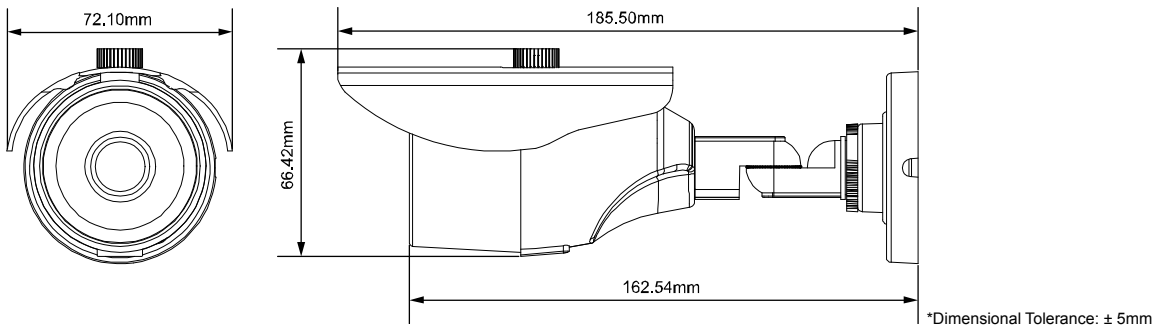
HD CCTV 1080P IR Dome Camera



● FEATURES

- (1) 1/2.9" CMOS Sensor
- (2) 1080P video output
- (3) Low light sensitivity of 0.1 Lux / F1.8, 0Lux (IR LED ON)
- (4) Day and night 24-hour surveillance with IR effective distance up to 15 meters
- (5) IP66 for weather-proof application
- (6) Camera parameters adjustable when used with AVTECH HD CCTV DVR

● DIMENSIONS*



● SPECIFICATIONS*

MODEL	DG105AX
Pick-up Element	1/ 2.9" CMOS image sensor
Number of Pixels	1936(H) x 1096(V)
Video Frame Rate	1080P@30fps / 1080P@25fps
Min. Illumination	0.1 Lux / F1.8, 0 Lux (IR LED ON)
S/N Ratio	More than 48dB (AGC OFF)
Shutter Speed	1/30 (1/25) sec ~ 1/33750 (1/28125) sec
Lens	f3.6mm / F1.8
Lens Angle	87° (Horizontal) / 46° (Vertical) / 104° (Diagonal)
IR LED	12 units
IR Effective Distance	Up to 15 meters
IR Shift	YES
Day & Night Mode	YES
IRIS Mode	AES
White Balance	AUTO / INDOOR / OUTDOOR / USER
AGC	High / Middle / Low / Off
Sharpness	Adjustable
IP Rating	IP66
Operating Temperature	-20°C ~ 40°C
Operating Humidity	Less than 60% relative humidity
Power Source (±10%)	DC12V / 0.5A
Current Consumption (±10%)	180mA (IR OFF) / 290mA (IR ON)
Net weight (Kg)	0.36

* The specifications are subject to change without notice.