

AVT1301

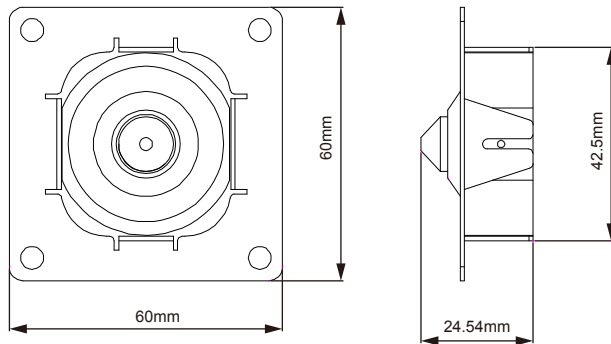
HD CCTV 1080P Pinhole Camera



● FEATURES

- (1) 1/2.7" CMOS Sensor with 1080P video output
- (2) Low light sensitivity of 0.1 Lux / F2.0
- (3) External alarm I/O device connection
- (4) Camera parameters adjustable when used with AVTECH HD CCTV DVR

● DIMENSIONS*



*Dimensional Tolerance: ± 5mm

● SPECIFICATIONS*

MODEL	AVT1301
Pick-up Element	1/ 2.7" CMOS image sensor
Number of Pixels	1930(H) x 1088(V)
Video Frame Rate	1080P@30fps / 1080P@25fps
Min. Illumination	0.1 Lux / F2.0
S/N Ratio	More than 48dB (AGC OFF)
Shutter Speed	1/30 (1/25) sec ~ 1/720000 (1/600000) sec
Lens	f4.3mm / F2.0
Lens Angle	69° (Diagonal) / 37° (Horizontal) / 81° (Vertical)
IRIS Mode	AES
White Balance	AUTO / USER / PUSH / 8000K / 6000K / 4200K / 3200K
AGC	Adjustable
Sharpness	Adjustable
Flickerless	50HZ / 60HZ / OFF
BLC	Adjustable
External alarm I/O	YES (1 input / 1 output)
Operating Temperature	0°C~40°C
Operating Humidity	Less than 60% relative humidity
Power Source (±10%)	DC12V / 0.5A
Power Consumption (±10%)	120mA
Net Weight (kg)	0.13

* The specifications are subject to change without notice.