

# AVP542B



HD 1080P



3-Axis



PoC



WDR



Line in / out



MicroSD Card  
Recording



External I/O



IK10



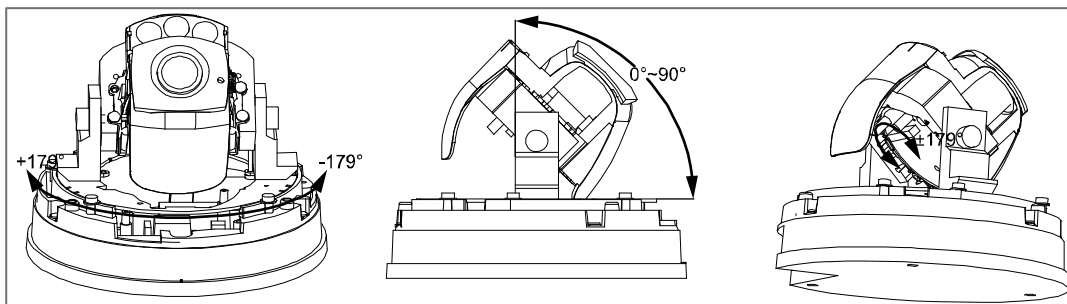
Mobile  
Surveillance



## 2MP Vandal-Proof IR Dome IP Camera

### FEATURES

- Worked with **PoC (Power-over-Coaxial) converter, AVX912R6**, to set up the whole HD IP system with coaxial cables, suitable for replacing your existing CCTV system to HD IP system effectively
- **3-axis** mechanism for flexible ceiling and wall-mount installation



- MicroSD card support (up to 64GB) for **video storage**
- **External alarm I/O device** connection



- **ONVIF** (**ONVIFS**) standard supported to simplify system integration
- **Solid Light** series featuring better overexposure prevention (Advanced Smart Light Control), automatic adjustment of image brightness, and longer lifetime of LEDs
- **WDR** to increase image recognizability in overexposure and dark areas
- **IK10** rated, vandal-proof cover
- **Line in / out** jacks available for audio transmission
- **Remote Surveillance**
  - **Fully compatible** with **iOS** and **Android** devices, and **Internet Explorer** on Windows operating system
  - **Push Video** available on your iOS and Android devices when used with Push Video NVR series



## ● SPECIFICATIONS

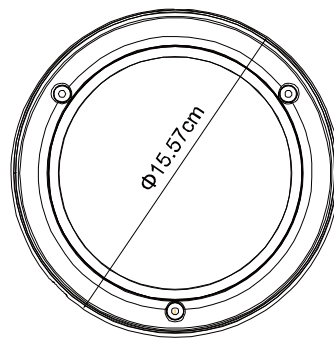
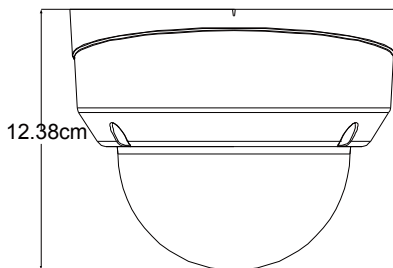
■ Network	
Supported Protocols	DDNS, PPPoE, DHCP, NTP, SNTP, TCP/IP, ICMP, SMTP, FTP, HTTP, RTP, RTSP, RTCP, IPv4, Bonjour, UPnP, DNS, UDP, IGMP, QoS, SNMP
ONVIF Compatible	YES (Profile S)
Number of Online Users	10
Security	(1) Multiple user access levels with password (2) IP address filtering (3) Digest authentication
Remote Access	(1) Internet Explorer on Windows operating system (2) 16CH Video Viewer on Windows & MAC operating system (3) EagleEyes on iPhone, iPad & Android mobile devices
■ Video	
Network Compression	H.264 (Main Profile) / MJPEG
Video Resolution	1920 x 1080 / 1280 x 720 / 720 x 480 / 352 x 240
Frame Rate	30fps
Multiple Video Streaming	4 (H.264, MJPEG)
■ General	
Image Sensor	1/ 2.8" SONY CMOS image sensor
Min Illumination	0.1 Lux / F1.4, 0 Lux (LED ON)
Shutter Speed	1/10,000 ~ 1/7.5 (Slow shutter)
S/N Ratio	More than 48dB (AGC off)
Lens	f2.8 ~ 12mm / F1.4 ~ F2.8
Viewing Angle	Wide: 103° (Horizontal) / 54° (Vertical) / 122° (Diagonal) Tele: 31° (Horizontal) / 17° (Vertical) / 36° (Diagonal)
IR LED	3 Units
IR Effective Distance**	Default: up to 30 meters IR Enhanced Mode: up to 50 meters
IR Shift	YES
Smart Light Control	YES
White Balance	ATW
AGC	Auto
IRIS Mode	AES
WDR	YES
POC	YES
Privacy Mask	YES
External Alarm I/O	YES (1 input / 1 output)
RAM	20MB
MicroSD Card Slot	YES (up to 64GB)
Weather-Proof	IP66
Vandal-Proof	IK10
Operating Temperature	-25°C ~ 50°C
Operating Humidity	Less than 60% relative humidity
Video Output	1.0 Vp-p composite, 75Ω
Power Source (±10%)	DC12V / 1.5A
Current consumption (±10%)	966mA
Power Consumption (±10%)	11.59W
Net Weight (kg)	1.9

## ● SPECIFICATIONS (Continued)

■ Audio	
Line in	YES (Mono)
Line out	YES (Mono)
■ Others	
Mobile Surveillance	iOS & Android mobile devices
Event Notification	FTP / Email
Digital Pan / Tilt / Zoom	YES
Motion Detection	YES
RTC (real-time clock)	YES
Minimum Web Browsing Requirements	<ul style="list-style-type: none"> <li>• Intel core i3 or higher, or equivalent AMD</li> <li>• 2GB RAM</li> <li>• AGP graphics card, Direct Draw, 32MB RAM</li> <li>• Windows 8, Windows 7, Windows Vista &amp; Windows XP, DirectX 9.0 or later</li> <li>• Internet Explorer 7.x or later</li> </ul>
Optional Peripheral	PoC Converter (AVX912R6),

\*The specifications are subject to change without notice.  
 \*\*Using IR enhanced mode and slow shutter speed, the distance can be extended even longer.

## DIMENSIONS

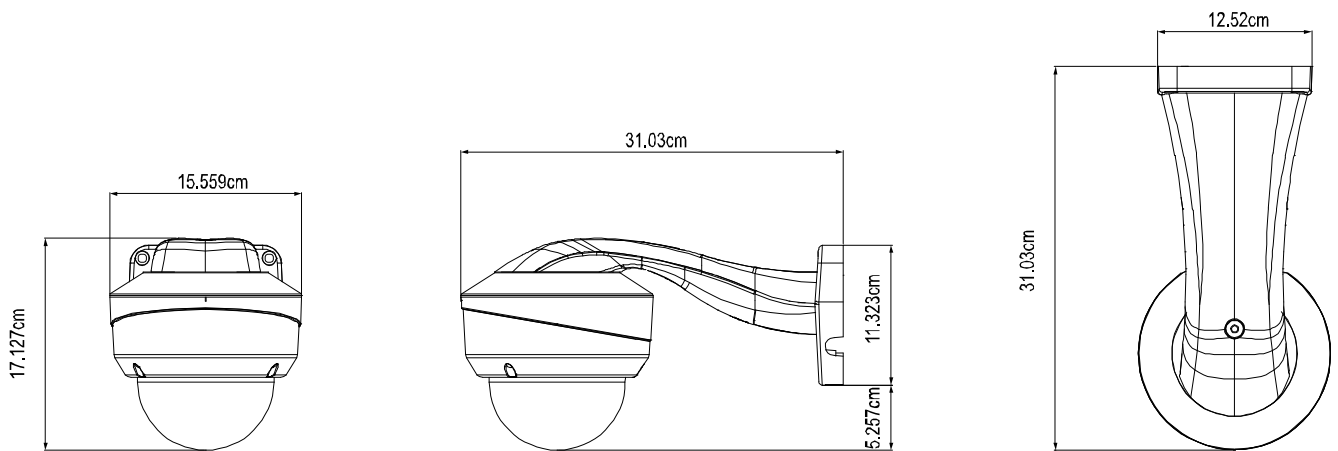


Dimensional tolerance: ± 5mm



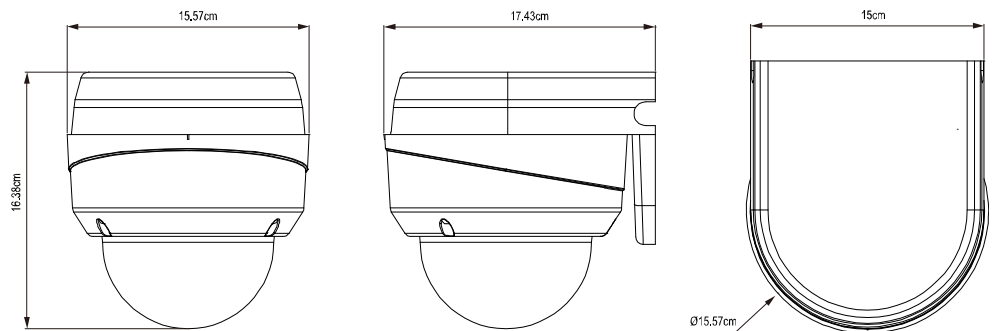
## OPTIONAL BRACKETS

### ■ AVM542-BKT(A)



Dimensional tolerance:  $\pm 5$ mm

### ■ PAVM542-BKT(B)

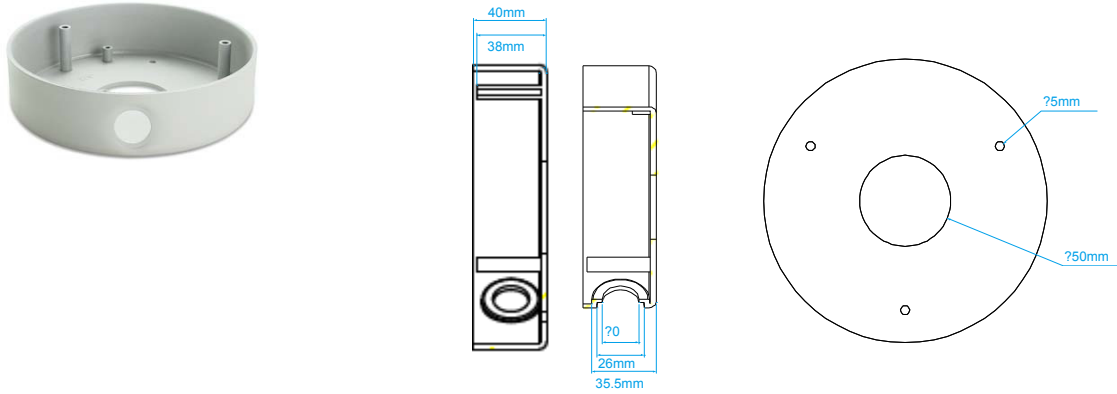


Dimensional tolerance:  $\pm 5$ mm

## OPTIONAL BRACKETS (CONTINUED)

### ■ AVM542-BBKT

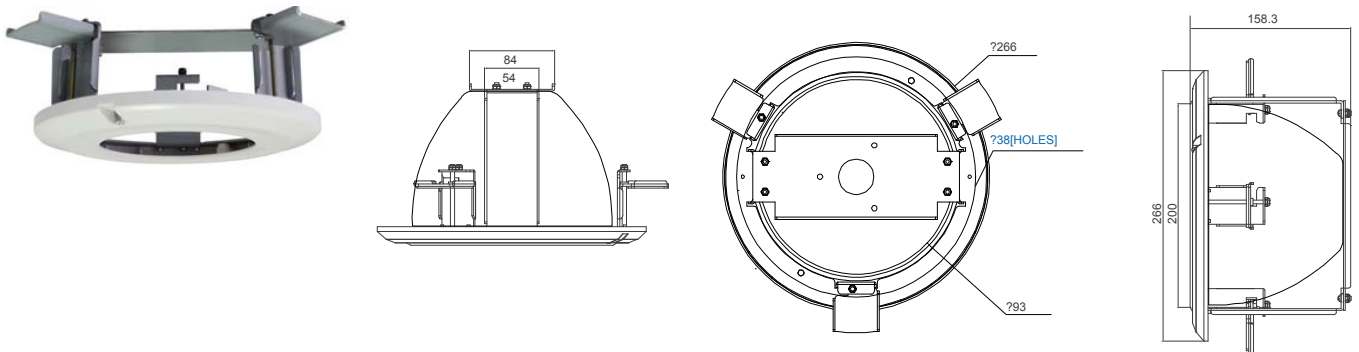
Used as a bracket to mount the camera on the ceiling and collect the cables.



Dimensional tolerance:  $\pm 5\text{mm}$

### ■ AVM542CEIL-BKT (Coming Soon)

Used as a bracket to mount the camera into the ceiling.



Dimensional tolerance:  $\pm 5\text{mm}$