



AVM583



HD 1080P



PTZ



WDR



PoE



Audio



Auto Tracking



Vari-focal Lens



20X Optical Zoom



External I/O



Mobile Surveillance



2MP 20X PTZ IP Camera

FEATURES

- Zoom lens of f4.7 ~ 94mm with **20x optical zoom, 16x digital zoom and auto focus**, suitable for various monitoring environments
- **PTZ control** for seamless monitoring:
 - Capable of **360° pan rotation continuously** and 180° tilt movement, allowing quick and smooth action of the camera lens
 - **Auto Tracking** to follow moving objects
 - **Hot Point** support to quickly move the camera to the specified point remotely
 - Up to **16 preset points & four sequence groups** programmable for multiple points monitoring, and **auto pan**
- MicroSD card support (up to 64GB) for **video storage**
- **External alarm I/O device** connection



- **POE (Power-over-Ethernet)** support to eliminate the use of power cables and reduce installation costs
- **ONVIF** (**ONVIFS**) standard supported to simplify system integration
- **WDR** to increase image recognizability in overexposure and dark areas



- **Remote Surveillance**
 - **Fully compatible** with **iOS** and **Android** devices, and **Internet Explorer** on Windows operating system
 - **Push Video** available on your iOS and Android devices when used with Push Video NVR series



○ SPECIFICATIONS

| ■ Network | |
|----------------------------|--|
| LAN Port | YES |
| LAN Speed | 10/100 Based-T Ethernet |
| Supported Protocols | DDNS, PPPoE, DHCP, NTP, SNTP, TCP/IP, ICMP, SMTP, FTP, HTTP, RTP, RTSP, RTCP, IPv4, Bonjour, UPnP, DNS, UDP, IGMP, QoS, IEEE802.1X, SNMP |
| ONVIF Compatible | YES (Profile S) |
| Number of Online Users | 10 |
| Security | (1) Multiple user access levels with password (2) IP address filtering (3) Digest authentication |
| Remote Access | (1) Internet Explorer on Windows operating system (2) 16CH Video Viewer on Windows & MAC operating system (3) EagleEyes on iPhone, iPad & Android mobile devices |
| ■ Video | |
| Network Compression | H.264 (Main Profile) / MJPEG |
| Video Resolution | 1920 x 1080 / 1280 x 720 / 720 x 480 / 352 x 240 |
| Frame Rate | 30 fps |
| Multiple Video Streaming | 4 (H.264, MJPEG) |
| Bitrate Control | SVBR control (VBR + Max bitrate) |
| ■ General | |
| Image Sensor | 1/2.8" Sony CMOS image sensor |
| Min Illumination | 0.1 Lux / F1.6 |
| Shutter Speed | 1 / 60 (1/50) to 1 / 100,000 sec. |
| S/N Ratio | More than 48dB (AGC off) |
| Lens | f4.7 ~ 94mm / F1.6 (Wide) ~ 3.5(Tele), auto focus |
| Viewing Angle | 1X: 60.8° (Horizontal) / 35.3° (Vertical) / 68.3° (Diagonal) 20X: 3.4° (Horizontal) / 1.9° (Vertical) / 3.8° (Diagonal) |
| White Balance | Auto / 2500K / 3200K / 4200K / 5800K / 9500K |
| AGC | YES |
| IRIS Mode | YES |
| Sharpness | YES |
| WDR | YES |
| POE | YES (IEEE 802.3af) |
| External Alarm I/O | YES (1 input / 1 output) |
| RAM | 20MB |
| MicroSD Card Slot | YES (up to 64GB) |
| Heater | Optional |
| IP Rating (weather-proof) | IP66 |
| Operating Temperature | -25°C ~ 50°C |
| Operating Humidity | Less than 60% relative humidity |
| Power Source (±10%) | DC12V, 1.5A |
| Current consumption (±10%) | 800mA |
| Power Consumption (±10%) | PoE / PoN: 11.5W; DC Adapter: 9.6W |
| Net Weight (kg) | 1.76 |



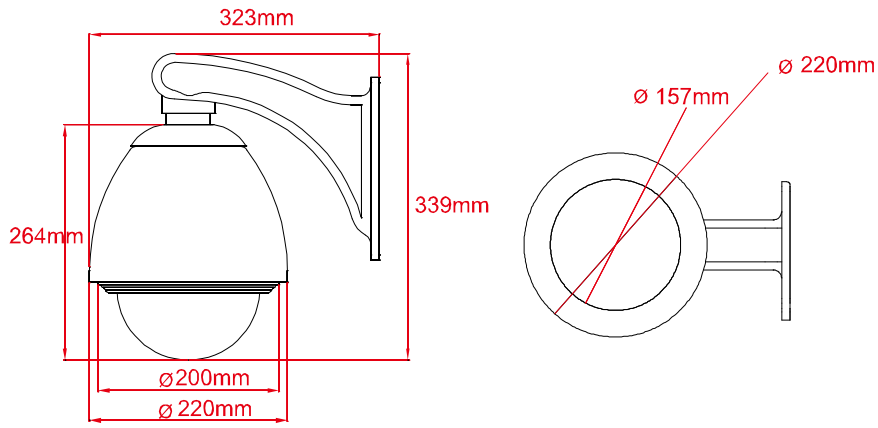
● SPECIFICATIONS (CONTINUED)

| ■ Audio | |
|-----------------------------------|---|
| Line in | YES (Mono) |
| Line out | YES (Mono) |
| ■ PTZ Mechanism | |
| Pan Range | 360° continuous rotation |
| Max. Pan Speed | 180°/s |
| Tilt Range | 180° |
| Max. Tilt Speed | 100°/s |
| Zoom Ratio | 20X Optical Zoom |
| Max. Zoom Speed | Approx. 3s (Tele ~ Wide) |
| Preset Points | Up to 16 preset points |
| Sequence Group | <ol style="list-style-type: none"> Up to four groups can be set One group can include up to 16 preset points |
| Home Position | YES |
| Auto Tracking | YES |
| Resume after Power Loss | YES |
| ■ Others | |
| Mobile Surveillance | iOS & Android |
| Event Notification | FTP / Email / SMS |
| Digital Pan / Tilt / Zoom | YES |
| Reset Default | YES |
| Motion Detection | YES |
| RTC (real-time clock) | YES |
| Minimum Web Browsing Requirements | <ul style="list-style-type: none"> Intel core i3 or higher, or equivalent AMD 2GB RAM AGP graphics card, Direct Draw, 32MB RAM Windows 8, Windows 7, Windows Vista & Windows XP, DirectX 9.0 or later Internet Explorer 7.x or later |

*The specifications are subject to change without notice.



○ DIMENSIONS



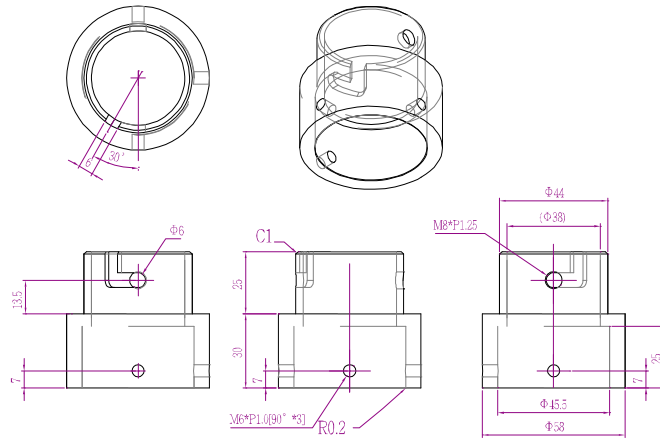
Dimensional tolerance: $\pm 5\text{mm}$



OPTIONAL PERIPHERALS

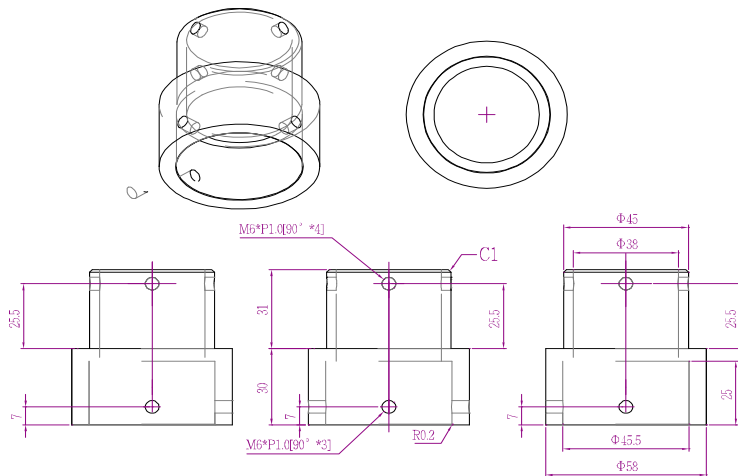
PTZCON3

Used for AVM583 as a connector to connect specific optional brackets.



PTZCON2

Used for AVM583 as a connector to connect optional brackets, such as brackets from Panasonic.



PTZCON1

Used for AVM583 as a connector to connect optional brackets, such as brackets from Pelco.

